

### GENERAL DESCRIPTION / APPLICATIONS



Two way air-operated valve with spring return.

Suitable for gaseous and liquid media compatible with the (body/seals) material used, vacuum.

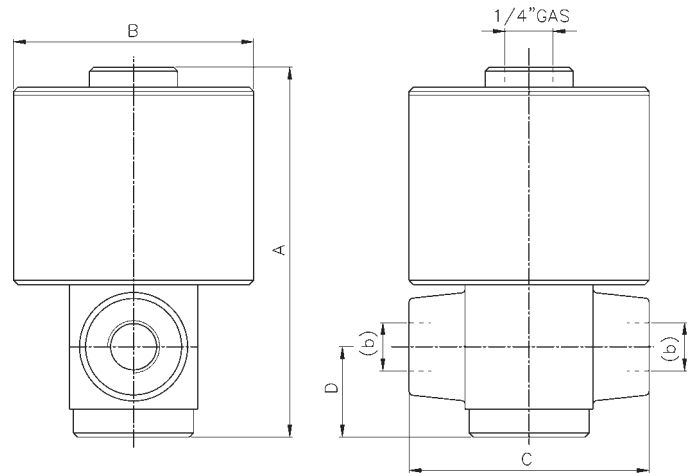
Forged brass, nickel-plated brass or stainless steel body.

Stainless steel internal parts.

Stainless steel springs.

Mountable in any position.

### DIMENSIONS



### PNEUMATIC ACTUATOR INFORMATIONS

Simple effect actuator with spring return.

Brass or nickel-plated brass cylinder.

Actuator piston material: NBR (Buna N).

Min. operating pressure: 1/10 of exercise pressure with a min. pressure of 1 bar.

Max. operating pressure: Exercise pressure.

### OPERATION



M22 - Normally closed.

N → OUT

At rest: IN and OUT closed  
Air in P: from IN to OUT



M23 - Normally open

N → OUT

At rest: IN comunica con OUT  
Air in P: from IN to OUT.

### SPECIFICATIONS AND DIMENSIONS

MODEL	ORIFICE DIAMETER mm	PRESSURE IN BAR				Flow factor kv (liters/min.')	WEIGHT Kg.	DIMENSIONS (millimeters)			
		NOMINAL MAX.	MIN.	MAX.	MAX. with PE seals			A	B	C	D
M 2 2 a 5 0 C b c	5	80	0	30	80	6,5	1,2	92	60	60	23
M 2 2 5 0 D	5	80	0	30	80	6,5	1,2	92	60	60	23
M 2 2 7 0 E	7	80	0	30	80	12,5	1,6	92	60	70	23
M 2 2 7 0 T	7	80	0	30	80	12,5	1,6	92	60	70	23
M 2 2 T 1 3 F	13	80	0	30	80	40	2,2	119	75	90	38
M 2 2 T 1 3 G	13	80	0	30	80	40	2,2	119	75	90	38

a	Body material	b	Port size	c	Seals material
T	Brass.	C	1/4" GAS	D	1/4" NPT
N	Nickel-plated brass.	E	3/8" GAS	T	3/8" NPT
1	Stainless steel only for 1/4" & 3/8" bodies.	F	1/2" GAS	G	1/2" NPT
				0	Buna N
				1	FPM
				6	PE