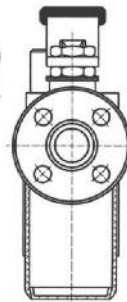
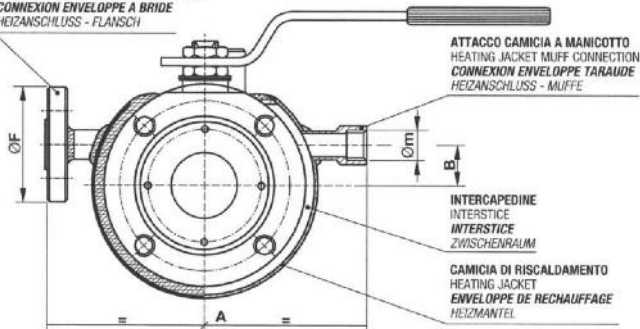


HEATING JACKET ALFA 11N-11NF PN10-40 ANSI150-300

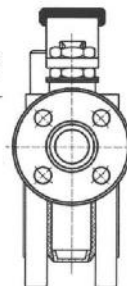
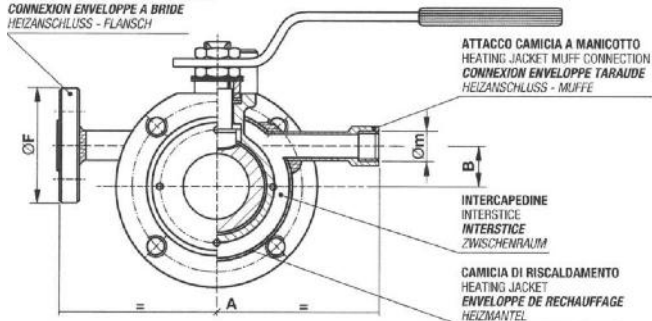
FULL BORE

ALFA 10N/10NF CON CAMICIA DI RISCALDAMENTO IN ACCIAIO AL CARBONIO O INOX.
ALFA 10N/10NF WITH END TO END HEATING JACKET IN CARBON STEEL OR IN STAINLESS.
ALFA 10N/10NF AVEC ENVELOPPE DE RECHAUFFAGE EN ACIER AU CARBONE OU INOX.
ALFA 10N/10NF MIT HEIZMANTEL IN C-STAHLE ODER IN EDELSTAHL.

ATTACCO CAMICIA FLANGIATO
HEATING JACKET FLANGED CONNECTION
CONNEXION ENVELOPPE A BRIDE
HEIZANSCHLUSS - FLANSCH



ATTACCO CAMICIA FLANGIATO
HEATING JACKET FLANGED CONNECTION
CONNEXION ENVELOPPE A BRIDE
HEIZANSCHLUSS - FLANSCH



DIMENSIONS

DN	10	15	20	25	32	40	50	65	80	100	125	150	200
Ø"	3 / 8"	½"	¾"	1"	1.¼"	1.½"	2"	2.½"	3"	4"	5"	6"	8"
A	160	160	160	190	210	230	250	270	300	340	360	420	500
B	0	0	0	0	25	30	30	45	50	70	80	95	130
Øm	Ø½" GAS						Ø1" GAS						
ØF	DN 15						DN 25						
Kg.	3	3	3.5	4.5	6	9	11.5	20	25	40	60	108	146