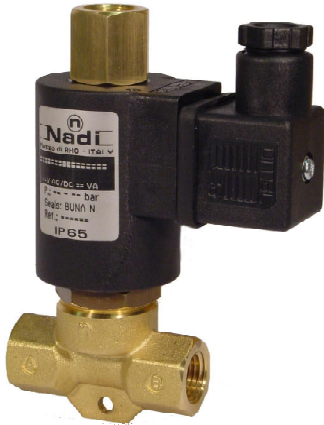


GENERAL DESCRIPTION / APPLICATIONS



Three way direct acting solenoid valve with spring return.

Suitable for gaseous and liquid media compatible with the (body/seals) material used, vacuum.

Forged brass, nickel-plated brass or stainless steel body.

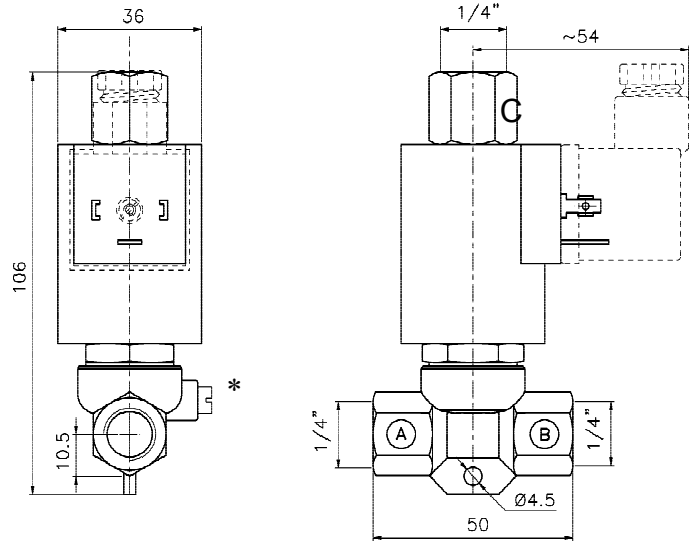
Stainless steel internal parts.

Stainless steel springs.

360° degrees orientable solenoid.

Mountable in any position.

DIMENSIONS (millimeters)



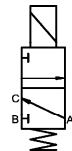
* Optional Manual Operator

ELECTRICAL INFORMATION

Continuous duty glass-reinforced nylon moulded coil with electrical connections suitable for DIN-43650A plug (2 poles+ground) or "faston" wire terminal.

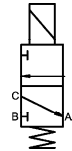
- Coil type : B6
- Insulation class: F (155°C) - H (180°C) upon request.
- Winding wire class: H (180°C)
- Protection class: Waterproof IP-65 (EN60529 standards) when properly plug connected with a DIN-43650A plug.
- Duty: Continuous (S.I.) 100% ED
- Power consumption: Alternate current 11VA (inrush 28VA)
Direct current 11W
- Voltage tolerance: ± 10%
- Electrical Insulation: >1000 MOhm
- Dielectrical Strength: >2000 V/1'
- Standard voltages: 12 - 24 - 48 - 110 - 220 Vac~ 50/60Hz
12 - 24 - 48 - 110 - 220 Vdc=
other voltages available upon request.

OPERATION



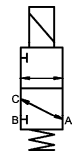
C03.P - Normally closed.

- In: B
- Out: A
- Vent: C
- Coil de-energized: Input B closed from B to vent C from A to B vent C closed
- Coil energized:



C08.P - Normally open.

- In: C
- Out: A
- Vent: B
- Coil de-energized: from C to A, vent B closed, from A to vent B input C closed
- Coil energized:



C13.P - Universal

- In: A, B or C
- Out: A, B or C
- Vent: A, B or C
- Coil de-energized: port B closed, port A and C open.
- Coil energized: port C closed port A and B open.

SPECIFICATIONS AND AVAILABLE OPTIONS

MODEL <i>Replace with: C08 for N.O. model C13 for Univ. model</i>	ORIFICE DIAMETER mm A,B / C	PRESSURES IN BAR ⁽¹⁾						Flow factor kv (liters/min.')	WEIGHT Kg.
		MIN./MAX. OPERATING DIFFERENTIAL PRESSURE							
		MIN.	MAX. NORM. CLOSED (C03)		MAX. NORM. OPEN (C08)		MAX. UNIVERSAL (C13)		
C 03	0,8 / 0,8	0	24	24	24	24	0,2	0,8	
C 03	1,8 / 1,8	0	10	10	10	10	1,2	0,8	
C 03	2,5 / 2,5	0	8	8	7	7	1,6	0,8	
C 03	3,2 / 2,5	0	4	4	4	4	1,8	0,8	

suffix (options available upon request): ⁽¹⁾ "AP" (High pressure version)

a	b	c	d	e
Body material T Brass. N Nickel-plated brass. I Stainless steel.	Port size C 1/4" GAS D 1/4" NPT	Seals material 0 Buna N 1 FPM 6 EPDM	Protection class P IP 65 <i>when properly plug connected with DIN-43650A plug.</i>	Optional feature X Stable manual operator.

Le caratteristiche possono subire variazioni senza preavviso / Characteristics may change without notice.