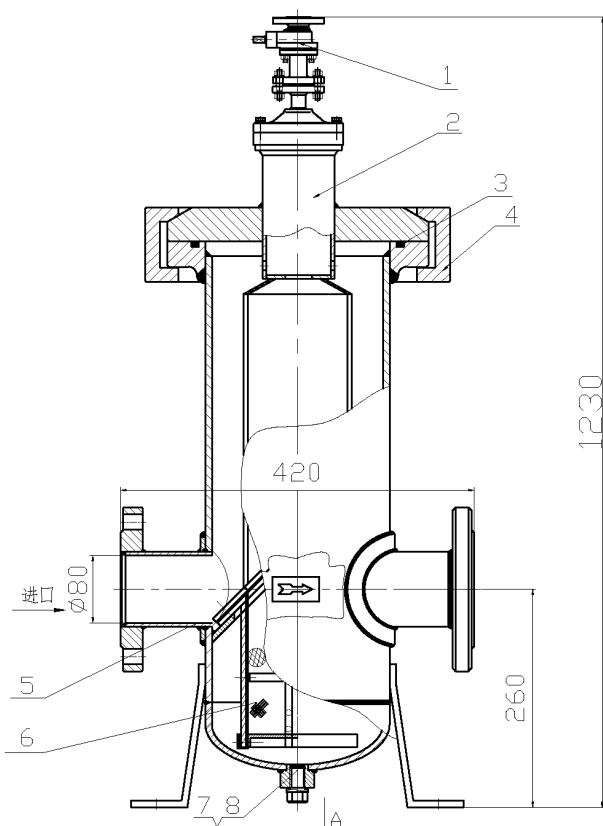
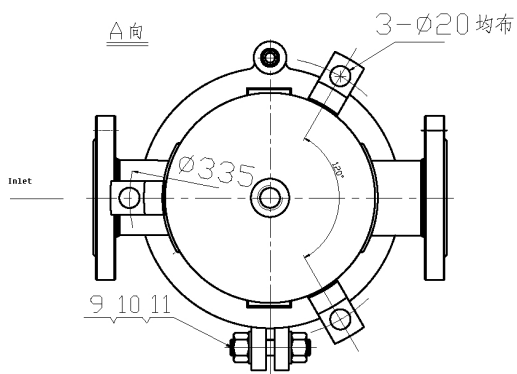


LPGX-80  
 额定压力 2.5MPa



Technical Requirements:

1. Welding according to the standard HG2099-97.
2. Pressure test: the finished product shall be tested under 1.5 times of the nominal pressure.



11	GB/T1229-91	High-tensile nut	2	M22
10	GB97.2-85	Plain washer	2	φ22
9	GB901-86	Stud	1	M22X130
8	GB1235-76	O-shape sealing ring	1	φ26Xφ2.4
7	SY8.303.019	Drain valve	1	
6	SY5.336.001	Filtering unit	1	
5	SY5.005.001X	Body	1	
4	SY8.493.001.002	Clamp	2	
3	GB1235-76	O-shape sealing ring	1	φ250Xφ8.6
2	SY8.310.049X	Up cover	1	
1	SY1.465.004	Exhaust valve	1	

序号	代号	名称	数量	附注
		总装图		SY1.468.001X

设计	审核	批准	日期	共页	第页
SLA	1	1:4			

上海一诺仪表有限公司